



Acme Sanitary Ware Co Ltd

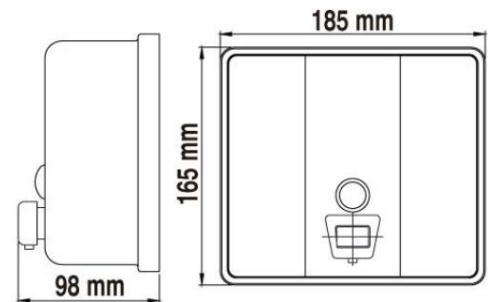
Acme Building, 22-28 Nanking Street, Kowloon, Hong Kong
Tel: 2388 7171 Fax: 2710 8012
E-mail: acme@acmesanitary.com.hk
Website: www.acmesanitaryware.com.hk

PROJECT		REF		REV	ITEM CODE	
LOCATION		DATE			PAGE	

SANITARY WARE SPECIFICATION SHEET

Item Descriptions	Mediclinics (Spain) stainless steel AISI 304 wall-mounted push-button liquid soap dispenser in satin finish
Dimensions	L185 x W98 x H165 mm
Model	DJ0115CS
Material/ Finish	Stainless Steel / Satin Finish
Manufacturer	Mediclinics, S.A. (Spain)
Supplier	Acme Sanitary Ware Co. Ltd Mr. Eric Wong/ Mr. Don Yuen
Contact Tel/Fax	(852) 2388-7171 / (852) 2710-8012
E-mail	acme@acmesanitary.com.hk
Website	www.acmesanitary.com.hk

Illustration/ Drawing



General Description

- Push-button wall-mounted liquid soap dispenser of 1.3 L capacity, manufactured in stainless steel AISI 304, 1.0mm thick.
- Available in two finishes (bright and satin) these soap dispenser models have a functional, robust and trendy design that matches the new range of Mediclinics bathroom accessories. This allows this soap dispenser to blend into any space perfectly.
- Suitable for high traffic facilities and for public use.
- Dispenses chlorine-free liquid soaps with a neutral pH. Surgical soaps and soaps with solid abrasive particles are not supported.

Components & materials

- **DJ0115C**: Stainless steel AISI 304, bright finish.
- **DJ0115CS**: Stainless steel AISI 304, satin finish.
- Body and back plate fully welded to avoid deformation and soap dripping.
- Polyethylene inner tank to prevent oxidation.
- Level display in the front part that constantly indicates the level of soap available inside the soap dispenser.
- Black ABS thermoplastic push-button
- Opening on top with provided key that allows soap refill.
- It is recommended to use liquid soaps with neutral pH, chlorine free.



DJ0115C
Bright finish



DJ0115CS
Satin finish

Technical Specifications

Dimensions	185x165x95 mm
Body thickness	1 mm
Suitable soaps	Chlorine-free hand soaps with neutral pH
Net weight	0.70 Kg
Quantity dispensed per pump	0.7 ml
Capacity	1.3 L

Operation

Place one hand under the soap dispenser valve and press the push-button until the end of the soap dosage.

Mounting Template

10-15 cm from countertop

Note:

* All information of the above is for the reference only. No prior notice is made if any changes.



Source: Mediclinics.